

IP Door

People often park in a garage for reasons of convenience and security. In order to be able to guarantee this security, it is often decided only to allow people into the garage if they have actually parked a car there. To give people access through a wicket door. It is therefore necessary to check whether they are authorised to enter the garage. To do so, you can install the IP Door. This unit has a barcode scanner and can also be equipped with a card reader and intercom facility. The limited depth and the application of a front door enable the IP Door to be built in. The IP Door can also be used as a check-point for a passageway.



Standard features:

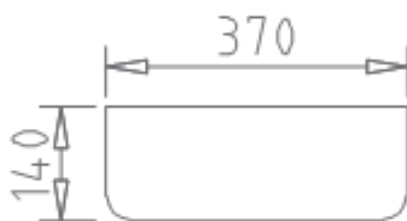
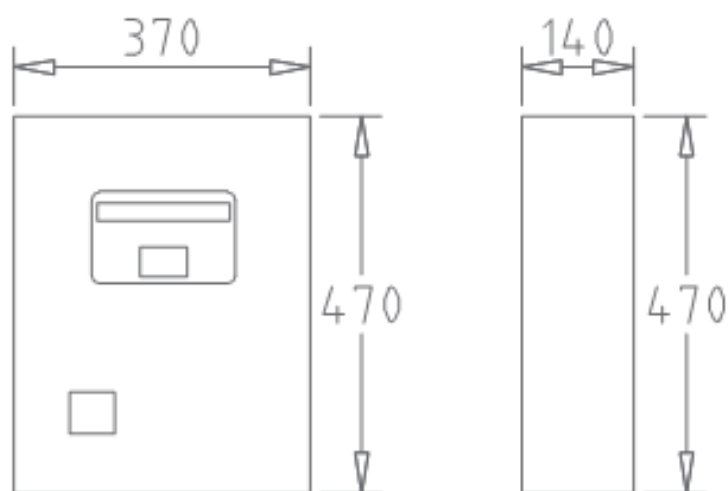
- Barcode proximity scanner
- Intercom preparation, including call button
- 20-character / 2-line display with LED back-light display
- Goof accessibility for service and maintenance
- Front door locking mechanism through cylinder lock
- Powder coated Aluminium housing (2mm ALMG.3) with anticorrosive treatment in RAL 9005
- Interface for control peripherals: 8 x serial, Bi-directional parallel and MDB interface
- Full Duplex dual speed ethernet interface for network connections; GPRS or RS485 also available
- I/O interface for communication with external systems and components, such as: sliding gates, fire alarm and height alarm; equipped with 4 relay outputs.

Optional:

- Mifare card reader
- VoIP intercom
- Alternative RAL colour
- Stainless steel housing
- Wireless communication through GPRS
- Proximity long range reader (NEDAP)
- Stainless steel front door



IPPARKING



Measurements are displayed in millimeters

Technical specifications:

Supply voltage	230V / 50Hz
Power consumption	90 W(heating off)
Weight	11 kg (excluding foundation)

Product specifications are subject to change without notice.